

KN EX1

Explosion Proof Telephone Hazardous Area Phone

**Acorn
Monitoring**



Tel: +44 (0)1635 281726 www.acornmonitoring.co.uk



Petro Chemicals Tunnels High Temperature Production Steel Security Military



KNEX1: Hazardous area telephone, Explosion proof Ex certified, for high temperature operation certified, robust tough industrial grade vandal proof, waterproof IP66.

Full Soft Lock: can be set to only allow numbers to be dialed listed in the phones 50 number speed dial memory. **Half Soft Lock:** Phone can be set to limit which are codes can be dialed. e.g. 01635, 01253 etc.

Auto answering with loud speaker for hands free speaking or announcing. Wall or desk mounted housed in a tough enclosure with armoured stainless steel cables with tough metal keypad buttons.

KNEX1 meets the latest European / UK standards for Ex certified Hazardous Area operation, built for long term high level of performance and reliability

System Features. ticks all the right boxes

- ✓ EX II2D Certified Hazardous Area - Explosion Proof
- ✓ Illuminated LCD display
- ✓ Full soft lock: number dial out set to only address book
- ✓ Half soft lock: dialed out numbers can be limited e.g. 01635 area code (prevents unauthorized use).
- ✓ 50 memory phone book
- ✓ DTMF dial tones
- ✓ DTMF dial tones
- ✓ Compatible with most PBAX PBX, PAX
- ✓ Tough industrial grade - vandal proof
- ✓ Armoured stainless steel waterproof cables
- ✓ Strong durable steel keypad buttons
- ✓ Welcome text programmable e.g. "welcome to company" or "location 21"
- ✓ Auto answering hands free
- ✓ Loudspeaker volume: 70dB in 1m
- ✓ Ring sound 95 dB dfd in 1 m and 10 ringing tone melodies selectable
- ✓ Telephone line powered no external battery required
- ✓ Busy tone detection for auto release the line if line is busy
- ✓ Off hook magnetic reed switch
- ✓ Noise cancelling microphone
- ✓ Dry contact closure for external control Desk or wall mounted
- ✓ Operating temp range -20 to + 60 deg C
- ✓ Certificates: EXib 11B T5 Gb. EX 112D ExtD A21. EX 11 2G. IP66. CE Mark RoHS

Trusted By Customers - Worldwide

Koon Technology telephones are in service with many of the world's largest companies: Railways, Banks, Underground, Mining, Power Generation, Airlines Banking, Government, Shopping Malls to name but a few.

KN EX1

Explosion Proof Telephone Hazardous Area Phone

Acorn Monitoring



Tel: +44 (0)1635 281726 www.acornmonitoring.co.uk



ASTRA
ERICSSON



Alcatel-Lucent



SIEMENS

NORTEL
AVAYA



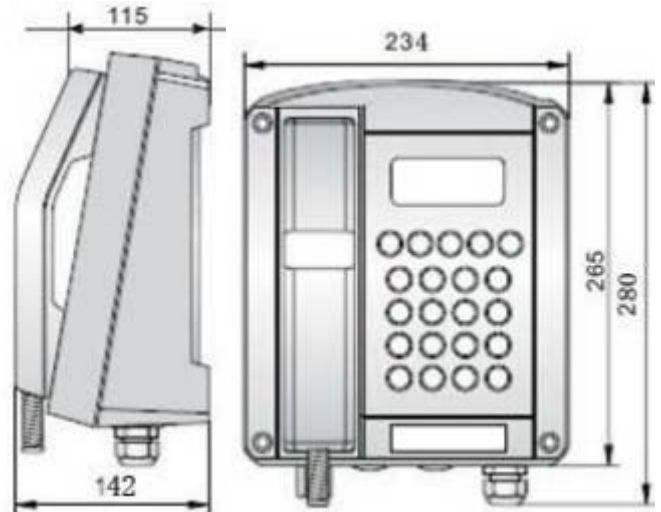
Koon Technology is approved by the above manufactures and many more...

Technical Specifications

Dimensions:	227 x 293 x 135 mm
Weight:	5.8 kg
LCD Display	2 line alphanumeric Icon or Number or Letter 4 back light level settings
Keypad:	Stainless steel, waterproof IP66, ICE protection 21 keys with ACE letter program
Handset:	Dynamic receiver, inductive loop for hearing aid Electret with noise cancelling Stainless steel armoured. Withstand 170kg
Waterproof	IP66
Impact	IK09
Call flash transfer	Max 120 ms
Dial format	DTMF
External functions	External loudspeaker Additional earpiece Headset Ring sounder
Operating temp	-25 to + 60 deg C
Storage temp	-25 deg c to + 70 deg C



KNEX 2 Version



Certificate

Model:KNEX1

Ex ib IIB T5 Gb

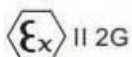
EX 11 2D EX tD A21 IP66 T100°C

HK Koon Technology LTD

FA YUEN STR.MONG KOK .KL HK

Emergency Telephone

2012 s/n 001



DC=66V



Please contact us for further details:

Tel +44 (0)1635 281726

E Mail: sales@acornmonitoring.co.uk

Web: www.acornmonitoring.co.uk

Acorn Monitoring Ltd

Poplar Offices

Compton Road. East Ilsley,

West Berkshire. RG2 0TD. UK.

All information and specifications is subject to change without prior notice and is "preliminary" only.