

KN ZD 11

Single Button Help Speaker Phone

Acorn Monitoring



Tel: +44 (0)1635 281726 www.acornmonitoring.co.uk



Road Rail Tunnel Ports Factories Public Buildings Security Transport Utilities



The Koon Technology KNZD-11 auto dial emergency speakerphone is IP65 rated, IP67 can be achieved. It has been designed for operation in harsh environments, such as Railway, Shipping and Tunnel applications as well as for many other applications indoor and outdoor use in wet or corrosive environments with high durability and resistance to oil, acid, alkali, conforms to GJB 773 and UL1332.

KNZD-11 autodial emergency speakerphone is manufactured to a very high standard with a robust stainless steel body or sprayed with a bright reflective lacquer.

Box earth connection, Internal components in fully isolated compartment also offering high immunity to EMC.

KNSP-11 meets the latest UK & European standards CE Mark, EMC, RoHS, lightning protection and with a wide operating temperature range, it is built for long term high reliability of operation.

System Features. ticks all the right boxes

- ✓ **Analogue, SIP VoIP versions**
- ✓ **Single button Auto-dial**
- ✓ **High durability resistance to oil, acid, alkali, conforms to GJB 773 and UL1332**
- ✓ **Support for hot line exchange system**
- ✓ **Robust stainless steel body**
- ✓ **Bright fade resistant paint**
- ✓ **Clear loud speech without feedback**
- ✓ **Vandal resistant and tamper-resistant hardware, simple installation**
- ✓ **Compatible with most brands of PBX**
- ✓ **Isolated box earth connection, Internal components fully isolated**
- ✓ **Weather resistant to IP65 standard (IP67 possible)**
- ✓ **Talk distance 80 to 100cm**
- ✓ **Wide service temperature range from: -30 degrees to +60 degrees**
- ✓ **Noise canceling microphone**
- ✓ **Optional induction loop for hearing aid (12V)**
- ✓ **7 minute auto time out default, adjustable**
- ✓ **Lightning protection ITU-T recommendation K.21**
- ✓ **Ingress Protection: GB4208-93 IP66. CE. EMC: EN55022/EN55024/EN50121-3-2: 2006 FCC**

Trusted By Customers - Worldwide

Koon Technology telephones are in service with many of the world's largest companies: Railways, Underground, Mining, Power Generation, Airlines Banking, Government, Shopping Malls to name but a few.

KN ZD 11

Single Button Help Speaker Phone

**Acorn
Monitoring**



Tel: +44 (0)1635 281726 www.acornmonitoring.co.uk



**ASTRA
ERICSSON**



Alcatel-Lucent



SIEMENS

**NORTEL
AVAYA**



Koon Technology is approved by the above manufactures and many more...

Technical Specifications

SPC Exchanges: Various types of dispatching exchange system with voltage range of 33V to 60V.

Ambient temperature: -30 deg C to +60 deg C

Relative humidity: 10% to 95%

Atmospheric pressure: 86 to 106Kpa

Sound level of ringing: over 70 (A)

Standard frequency: low frequency group: 697. 770. 852. 941Hz,

High frequency group: 1209, 1336, 1477Hz, frequency deviation: -1.5%~+1.5%

If service line is a 3Km signal-level:

Standard frequency: low frequency group: -12dB~-6dB, high frequency group: -10dB~-4dB, level difference

between low and high frequency of compound signal: 1dB-3dB, the total distortion caused by intermodulation of harmonic wave is lower than the basic level by at least 20dB.

Call transmission index: (5KM)SLR<12, RLR<-1, STMR>10, output impedance is 600 Ohm.

VoIP Version

Connection: RJ45 socket inside sealed enclosure

Power Supply: External 5 Volts

Call set-up protocol: Session initiated protocol (SIP)

Configuration: DHCP or Static IP address

Certified Standards

EMC: EN50121 Railway application electromagnetic compatibility.

EN55022: Emissions

EN55024; Immunity

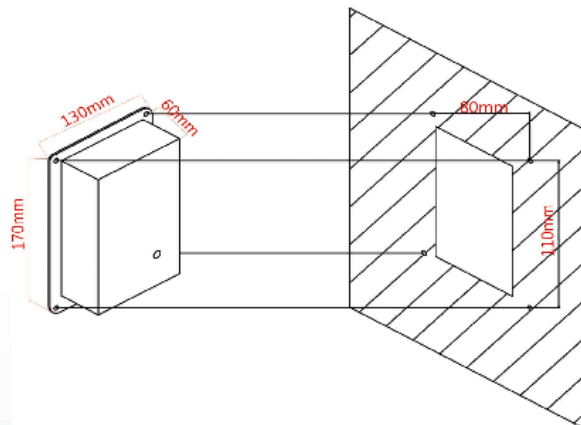
Ingress protection: IP65 (IP67 possible)

CE Mark - FCC - ISO 9001

ITU-T Lightening Recommendation K21



All information and specifications are subject to change without prior notice and is "preliminary" only.



Machine size:170 *130 *60(mm)

Carton size:200 *140 *100(mm)

Gross weight:0.85KG Net weight:0.65KG

Please contact us for further details:

Tel +44 (0)1635 281726

E Mail: sales@acornmonitoring.co.uk

Web: www.acornmonitoring.co.uk

Acorn Monitoring Ltd

Poplar Offices

Compton Road. East Ilsley,

West Berkshire. RG2 0TD. UK.